

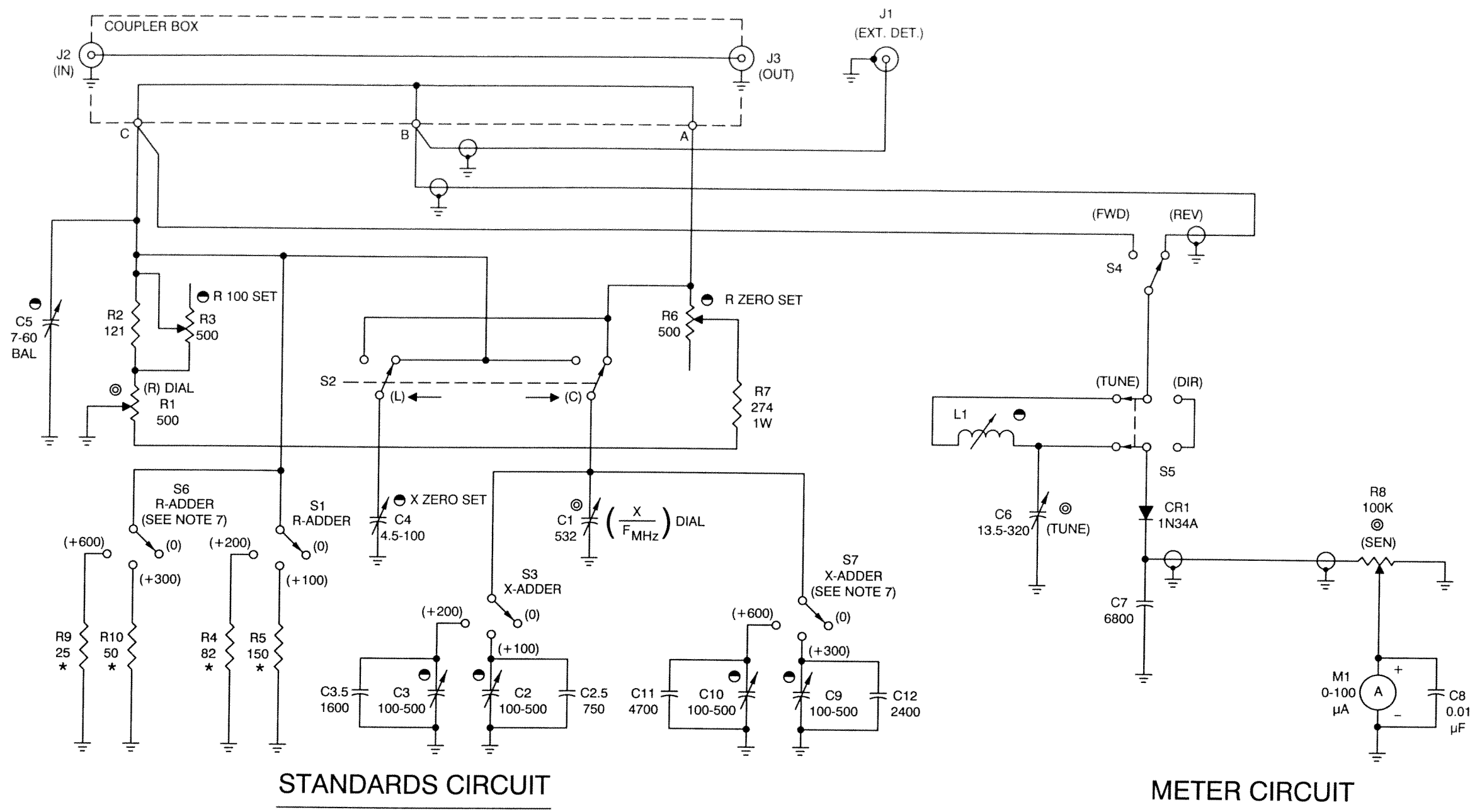
STANDARDS CIRCUIT

METER CIRCUIT

NOTES:

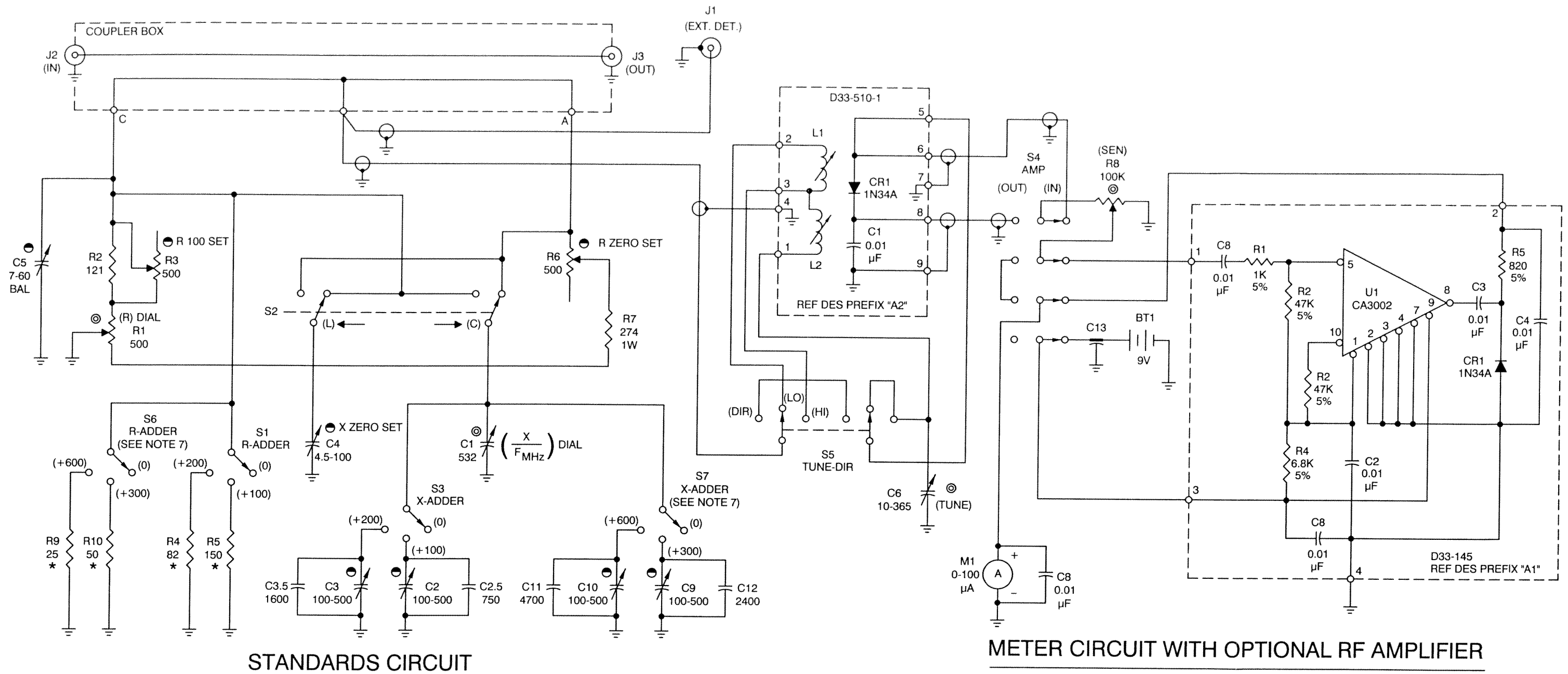
1. UNLESS OTHERWISE SPECIFIED:
 - (A) ALL RESISTORS ARE IN OHM ($\pm 1\%$ - FIXED)
 - (B) ALL CAPACITORS ARE IN PICOFARADS
2. ⊙ INDICATES FRONT PANEL CONTROL
3. ● INDICATES SCREWDRIVER ADJUSTMENT, SEAL AFTER CALIBRATION
4. () INDICATES FRONT PANEL MARKINGS
5. * INDICATES SELECTED VALUE
6. ⊖ INDICATES SCREWDRIVER ADJUSTMENT
7. S6, S7 AND ASSOCIATED COMPONENTS COMPRISE OPTIONAL RANGE EXTENSION CIRCUIT

FIGURE 3-2A
SCHEMATIC DIAGRAM
OPERATING IMPEDANCE BRIDGE
SERIAL NUMBERS 1747 AND HIGHER



- NOTES:
- UNLESS OTHERWISE SPECIFIED:
 - ALL RESISTORS ARE IN OHM ($\pm 1\%$ - FIXED)
 - ALL CAPACITORS ARE IN PICO FARADS
 - ⊙ INDICATES FRONT PANEL CONTROL
 - ⦿ INDICATES SCREWDRIVER ADJUSTMENT, SEAL AFTER CALIBRATION
 - () INDICATES FRONT PANEL MARKINGS
 - * INDICATES SELECTED VALUE
 - ⊖ INDICATES SCREWDRIVER ADJUSTMENT
 - S6, S7 AND ASSOCIATED COMPONENTS COMPRISE OPTIONAL RANGE EXTENSION CIRCUIT

FIGURE 3-2B
SCHEMATIC DIAGRAM
OPERATING IMPEDANCE BRIDGE
SERIAL NUMBERS 001 THROUGH 1746



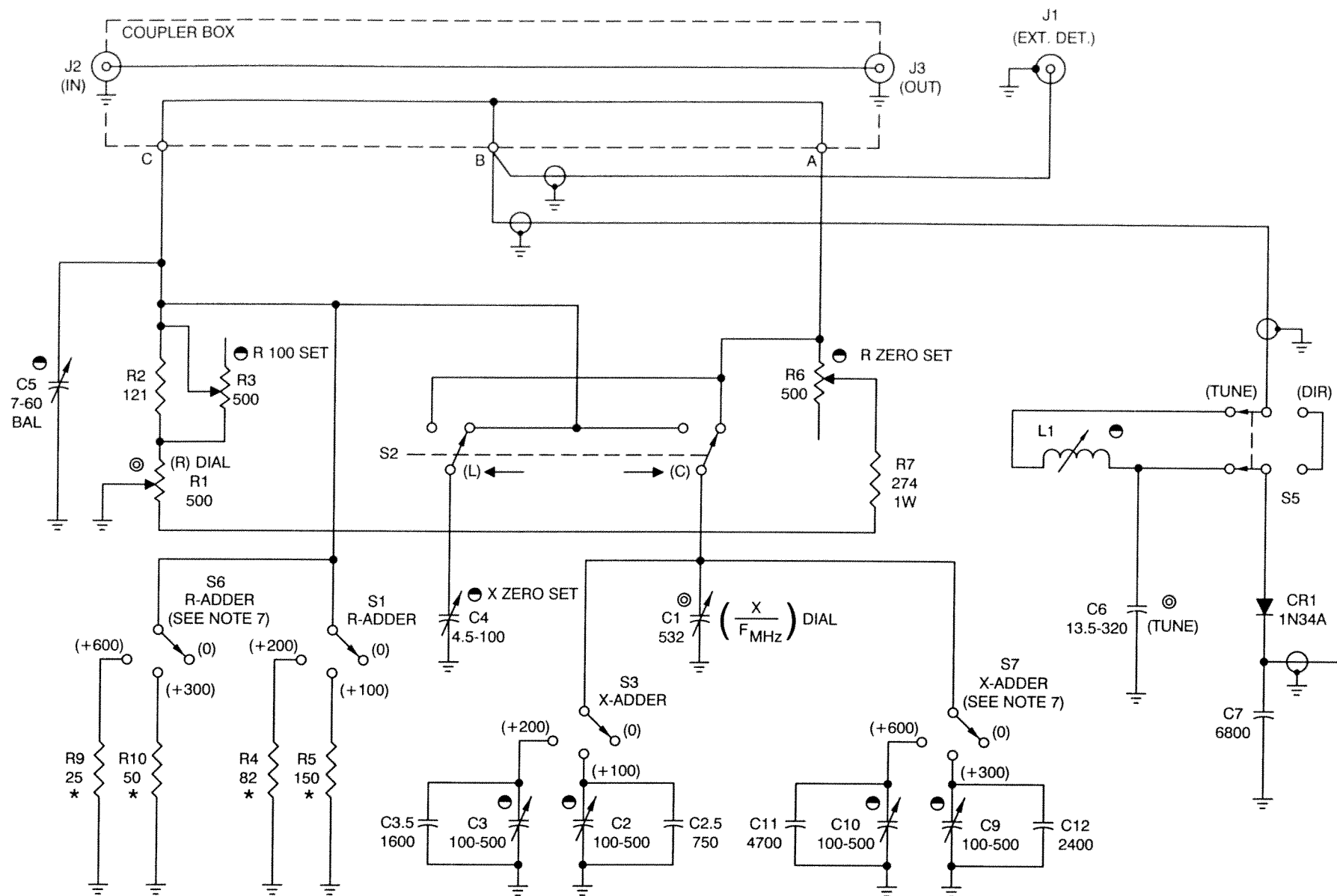
STANDARDS CIRCUIT

METER CIRCUIT WITH OPTIONAL RF AMPLIFIER

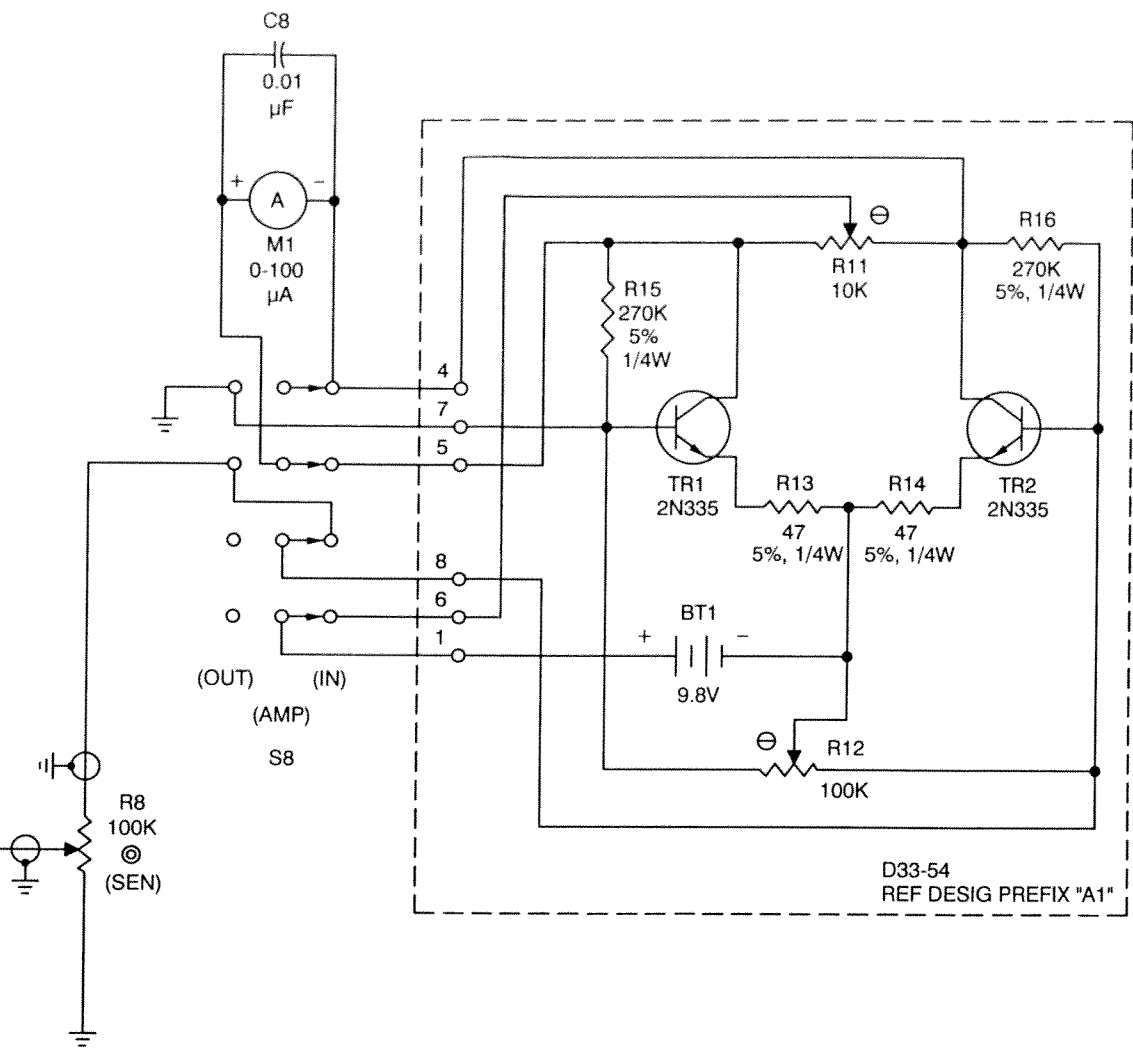
- NOTES:
1. UNLESS OTHERWISE SPECIFIED:
 - (A) ALL RESISTORS ARE IN OHM ($\pm 1\%$ - FIXED)
 - (B) ALL CAPACITORS ARE IN PICO FARADS
 2. ⊙ INDICATES FRONT PANEL CONTROL
 3. ● INDICATES SCREWDRIVER ADJUSTMENT, SEAL AFTER CALIBRATION
 4. () INDICATES FRONT PANEL MARKINGS
 5. * INDICATES SELECTED VALUE
 6. ⊖ INDICATES SCREWDRIVER ADJUSTMENT
 7. S6, S7 AND ASSOCIATED COMPONENTS COMPRISE OPTIONAL RANGE EXTENSION CIRCUIT

FIGURE 3-2C

SCHEMATIC DIAGRAM
OPERATING IMPEDANCE BRIDGE
WITH
OPTIONAL RF AMPLIFIER
SERIAL NUMBERS 1747 AND HIGHER



STANDARDS CIRCUIT



METER CIRCUIT WITH OPTIONAL DC AMPLIFIER

NOTES:

1. UNLESS OTHERWISE SPECIFIED:
 (A) ALL RESISTORS ARE IN OHM ($\pm 1\%$ - FIXED)
 (B) ALL CAPACITORS ARE IN PICOFARADS
2. ⊙ INDICATES FRONT PANEL CONTROL
3. ● INDICATES SCREWDRIVER ADJUSTMENT, SEAL AFTER CALIBRATION
4. () INDICATES FRONT PANEL MARKINGS
5. * INDICATES SELECTED VALUE
6. ⊖ INDICATES SCREWDRIVER ADJUSTMENT
7. S6, S7 AND ASSOCIATED COMPONENTS COMPRISE OPTIONAL RANGE EXTENSION CIRCUIT

FIGURE 3-2D
 SCHEMATIC DIAGRAM
 OPERATING IMPEDANCE BRIDGE
 WITH
 OPTIONAL DC AMPLIFIER
 SERIAL NUMBERS 001 THROUGH 1746