

SEE SHEET 2

NOTES

REV	DATE	BY	CHK	ENG	ECD	NBR
J	JAN 30, 2001	SEC	SEC			46591
REVISED SHEET 2, AND 3						
K	MAR 29, 2001	SEC	SEC			46907
REVISED SHEET 2, UPDATED REV ALL SHEETS						

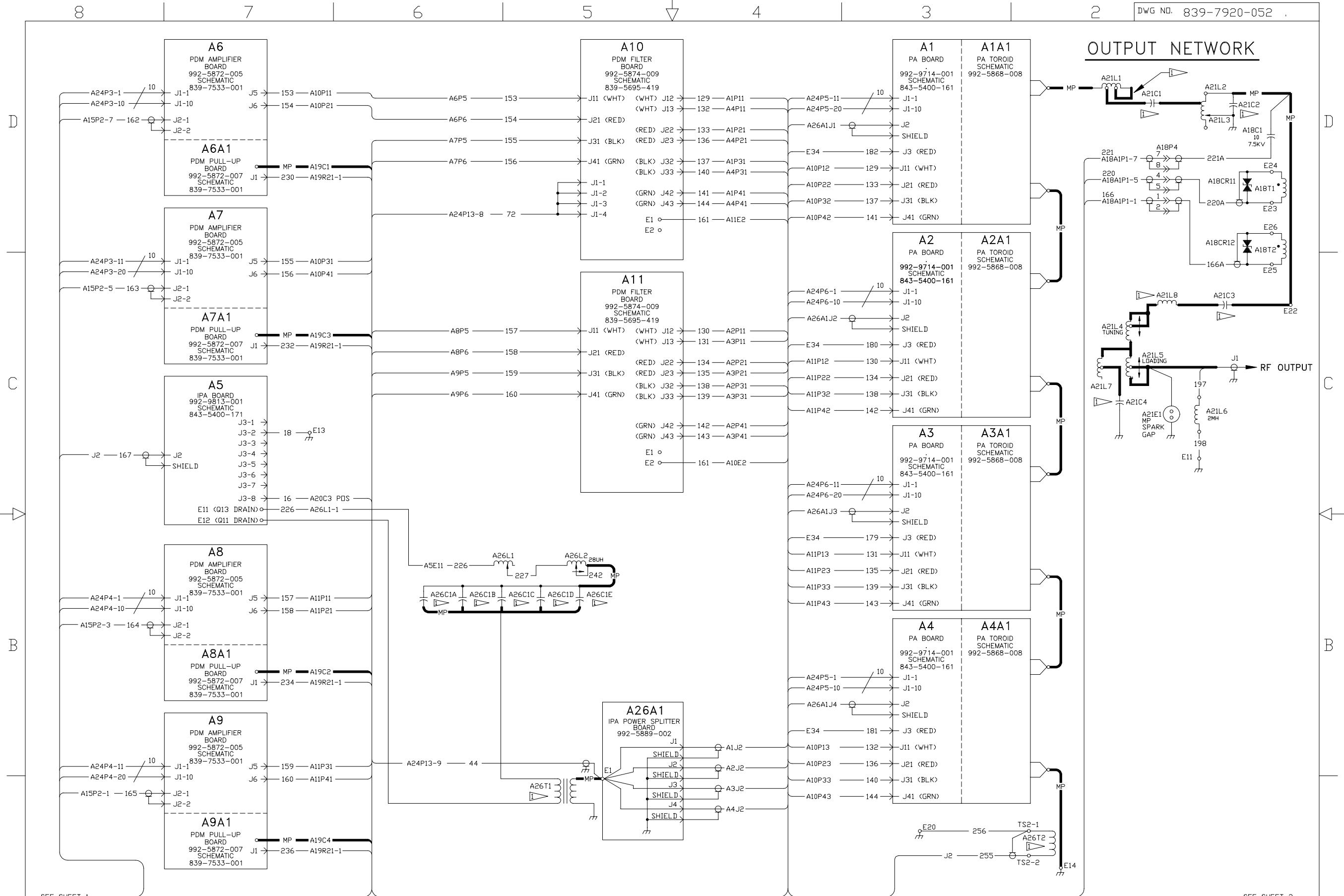


HARRIS CORPORATION  
BROADCAST COMMUNICATIONS  
P.O. BOX 4290  
QUINCY, ILLINOIS 62305

DRAWN BY	ROB FINLEY
DATE	MARCH 1990
ENG CHK	RICHARDS
PROJ ENG	SANDIDGE
MFG ENG	
ENG	
SHEET 1 OF 3	

TITLE	WIRING DIAGRAM, GATES 5 SINGLE PHASE
DWG NO.	839-7920-052
REV	K

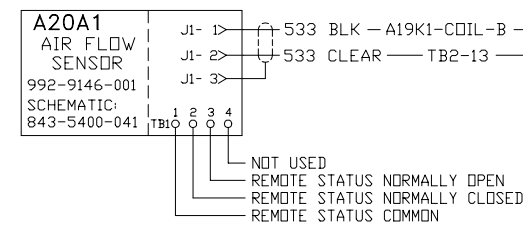
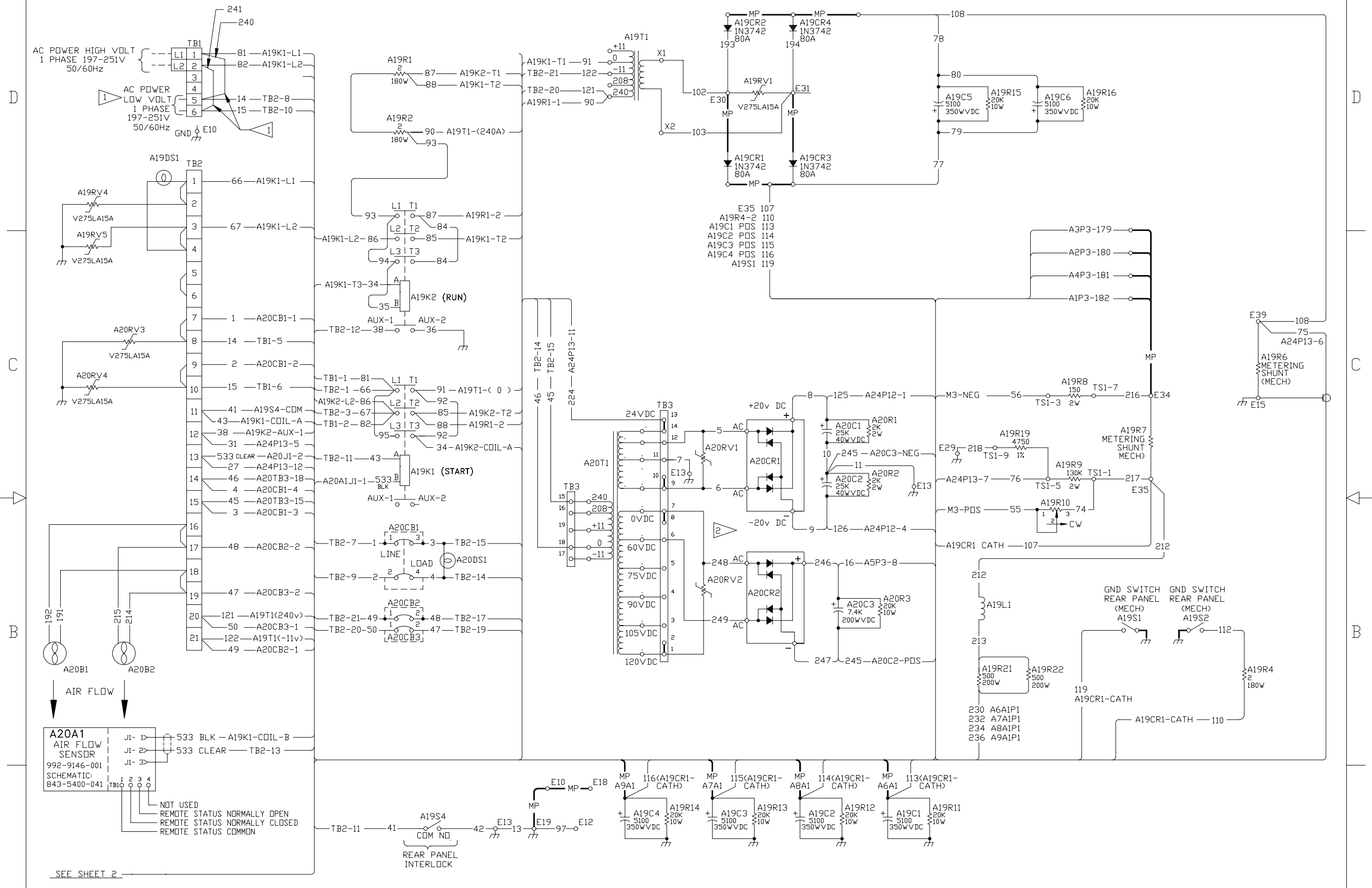
THIS DOCUMENT CONTAINS PROPRIETARY DATA OF HARRIS CORPORATION. NO DISCLOSURE, REPRODUCTION, OR USE OF ANY PART THEREOF MAY BE MADE EXCEPT BY WRITTEN PERMISSION.



SEE SHEET 1

SEE SHEET 3

NOTES ▶ FREQUENCY DETERMINED	REVISION	LTR	ZONE	DATE	DFTM	ENG	ECD NBR	 HARRIS CORPORATION BROADCAST COMMUNICATIONS P.O. BOX 4290 QUINCY, ILLINOIS 62305	DRAWN BY ROB FINLEY DATE MARCH 1990 ENG CHK RICHARDS PROJ ENG SANDIDGE MFG ENG - SHEET 2 OF 3	TITLE WIRING DIAGRAM, GATES 5 SINGLE PHASE - DWG NO. 839-7920-052 REV K	
		J	.	JAN 30, 2001	SEC	SEC	46591				
		CHANGED PART NUMBERS AT A5									
		K	.	MAR 29, 2001	SEC	SEC	46907				
	UPDATED REVISION PER ECO							THIS DOCUMENT CONTAINS PROPRIETARY DATA OF HARRIS CORPORATION. NO DISCLOSURE, REPRODUCTION, OR USE OF ANY PART THEREOF MAY BE MADE EXCEPT BY WRITTEN PERMISSION.			



SEE SHEET 2

2. A20T1 SECONDARY TAP VOLTAGES SHOWN ARE INDICATIVE OF POWER SUPPLY OUTPUT VOLTAGE AVAILABLE FROM A SPECIFIC A20T1 TAP TO ZERO VOLTS REFERENCE. WIRE 249 IS CONNECTED TO TAP (NOT NECESSARILY #6) THAT RESULT IN NOMINAL 28V P-P PA MODULE RF DRIVE SIGNAL.
1. FOR SEPARATE HV AND LV POWER SUPPLY INPUT INSTALL LV POWER ON TERMINALS 5 & 6; HV POWER ON TERMINALS 1,2 & 3 DELETE JUMPER WIRES #240 AND #241.

REV	TR	ZONE	DATE	DFTM	ENG	ECD NBR
J			JAN 30, 2001	SEC	SEC	46591
UPDATED REVISION PER ECO						
K			MAR 29, 2001	SEC	SEC	46907
ADDED L1 & L2 AT TB1						



HARRIS CORPORATION  
BROADCAST COMMUNICATIONS  
P.O. BOX 4290  
QUINCY, ILLINOIS 62305

DRAWN BY	ROB FINLEY
DATE	MARCH 1990
ENG CHK	RICHARDS
PROJ ENG	HOLLENBERG
MFG ENG	SANDIDGE
C	SHEET 3 OF 3

TITLE	WIRING DIAGRAM, GATES 5 SINGLE PHASE POWER SUPPLY
DWG NO.	839-7920-052
REV	K