

SEE SHEET 2

NOTES

REV	DATE	DESCRIPTION
1	11-01-1996	REVISED SHEET 2
2	JAN 30, 2001	REVISED SHEET 2, AND 3

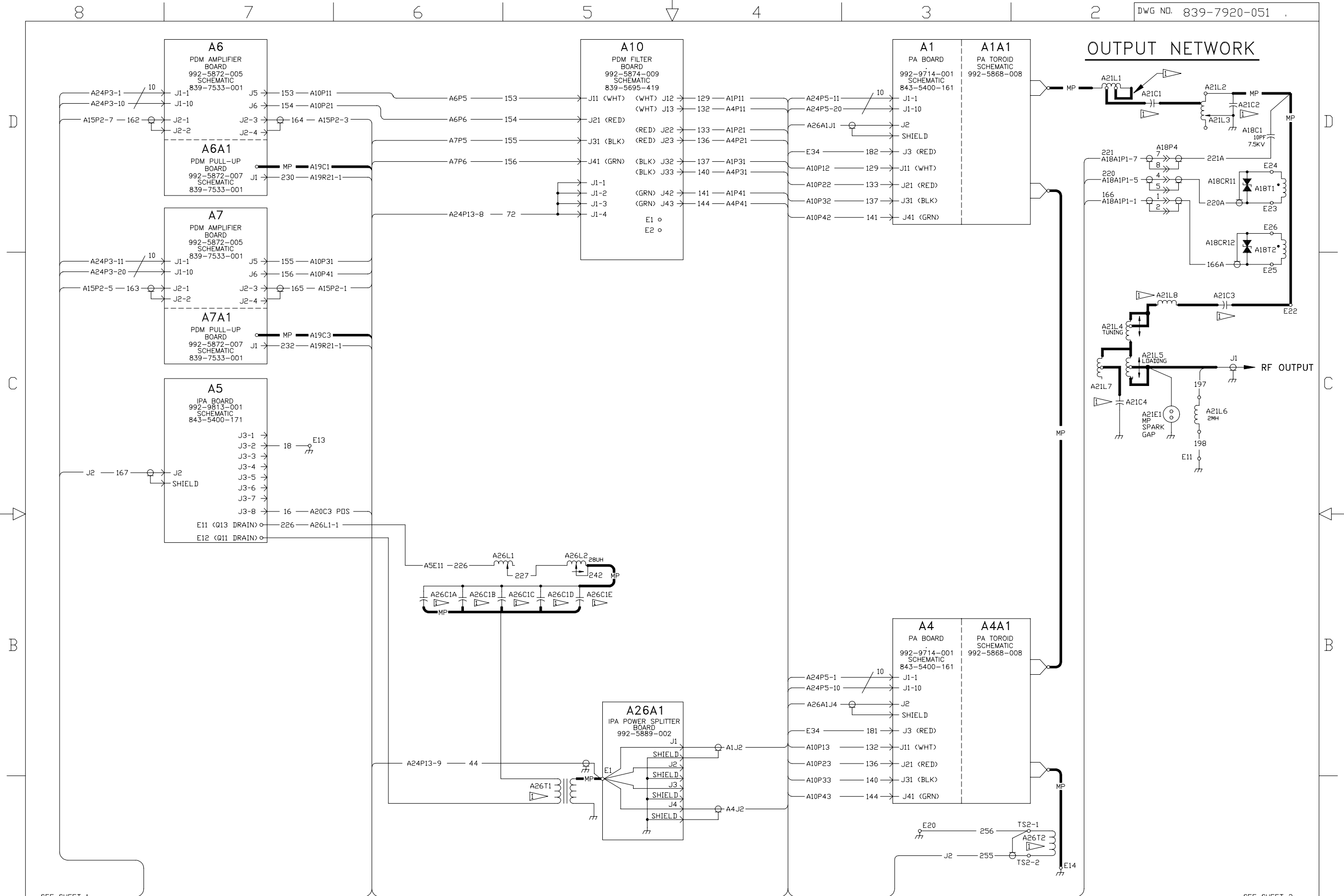


HARRIS CORPORATION  
BROADCAST COMMUNICATIONS  
P.O. BOX 4290  
QUINCY, ILLINOIS 62305

DRAWN BY	ROB FINLEY
DATE	MARCH 1990
ENG CHK	RICHARDS
PROJ ENG	HOLLENBERG
MFG ENG	SANDIDGE
CHECKED BY	SANDIDGE
DATE	11-01-1996
SHEET	1 OF 3

TITLE	WIRING DIAGRAM, GATES 2 SINGLE PHASE
DWG NO.	839-7920-051
REV	F

THIS DOCUMENT CONTAINS PROPRIETARY DATA OF HARRIS CORPORATION. NO DISCLOSURE, REPRODUCTION, OR USE OF ANY PART THEREOF MAY BE MADE EXCEPT BY WRITTEN PERMISSION.



SEE SHEET 1

SEE SHEET 3

NOTES  
 1. FREQUENCY DETERMINED

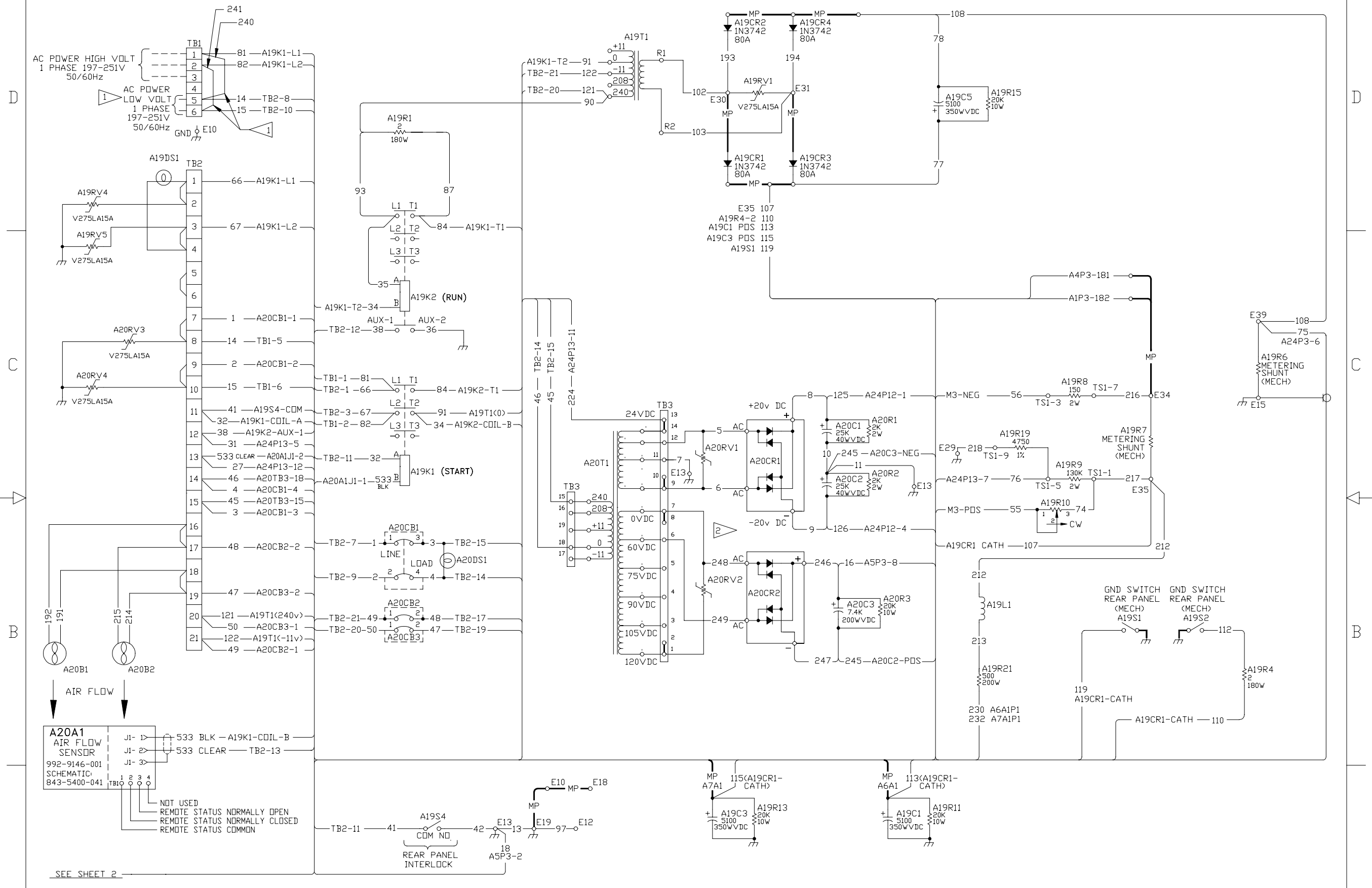
REV	LTR	ZONE	DATE	DFTM	ENG	ECD	NBR
E	.		11-01-1996	SEC	SEC		41575
REVISED #'s A1 & A4 WERE 992-5868-015 / 839-5695-418							
F	.		JAN 30, 2001	SEC	SEC		46591
CHANGED PART NUMBERS AT A5							



HARRIS CORPORATION  
 BROADCAST COMMUNICATIONS  
 P.O. BOX 4290  
 QUINCY, ILLINOIS 62305

DRAWN	ROB FINLEY
DATE	MARCH 1990
ENG	RICHARDS
CHK	SANDIDGE
PROJ	
ENG	
MFG	
ENG	
C	SHEET 2 OF 3

TITLE	WIRING DIAGRAM, GATES 2 SINGLE PHASE
DWG NO.	839-7920-051
REV	F



**A20A1**  
AIR FLOW SENSOR  
992-9146-001  
SCHEMATIC  
B43-5400-041

J1-1 533 BLK - A19K1-COIL-B  
J1-2 533 CLEAR - TB2-13  
J1-3

NOT USED  
REMOTE STATUS NORMALLY OPEN  
REMOTE STATUS NORMALLY CLOSED  
REMOTE STATUS COMMON

SEE SHEET 2

2. A20T1 SECONDARY TAP VOLTAGES SHOWN ARE INDICATIVE OF POWER SUPPLY OUTPUT VOLTAGE AVAILABLE FROM A SPECIFIC A20T1 TAP TO ZERO VOLTS REFERENCE. WIRE 249 IS CONNECTED TO TAP (NOT NECESSARILY #6) THAT RESULT IN NOMINAL 28V P-P PA MODULE RF DRIVE SIGNAL.
1. FOR SEPARATE HV AND LV POWER SUPPLY INPUT INSTALL LV POWER ON TERMINALS 5 & 6: HV POWER ON TERMINALS 1, AND 2 DELETE JUMPER WIRES #240 AND #241.

REV	TR	ZONE	DATE	DFTM	ENG	ECD NBR
1	C	.	03-22-1995	SEC	SEC	39125
REDRAWN IN AutoCAD, DELETED A20S2, ADDED A20A1						
2	F	.	JAN 30, 2001	SEC	SEC	46591
UPDATED REVISION PER ECD						



HARRIS CORPORATION  
BROADCAST COMMUNICATIONS  
P.O. BOX 4290  
QUINCY, ILLINOIS 62305

DRAWN BY	ROB FINLEY
DATE	MARCH 1990
ENG CHK	RICHARDS
PRJ ENG	HOLLENBERG
MFG ENG	SANDIDGE
C	SHEET 3 OF 3

TITLE  
WIRING DIAGRAM, GATES 2  
SINGLE PHASE  
POWER SUPPLY

DWG NO. 839-7920-051  
REV F