

SEE SHEET 2

NOTES

REV	DATE	DESCRIPTION
1	11-01-1996	REVISED SHEET 2
2	JAN 30, 2001	REVISED SHEET 2, AND 3

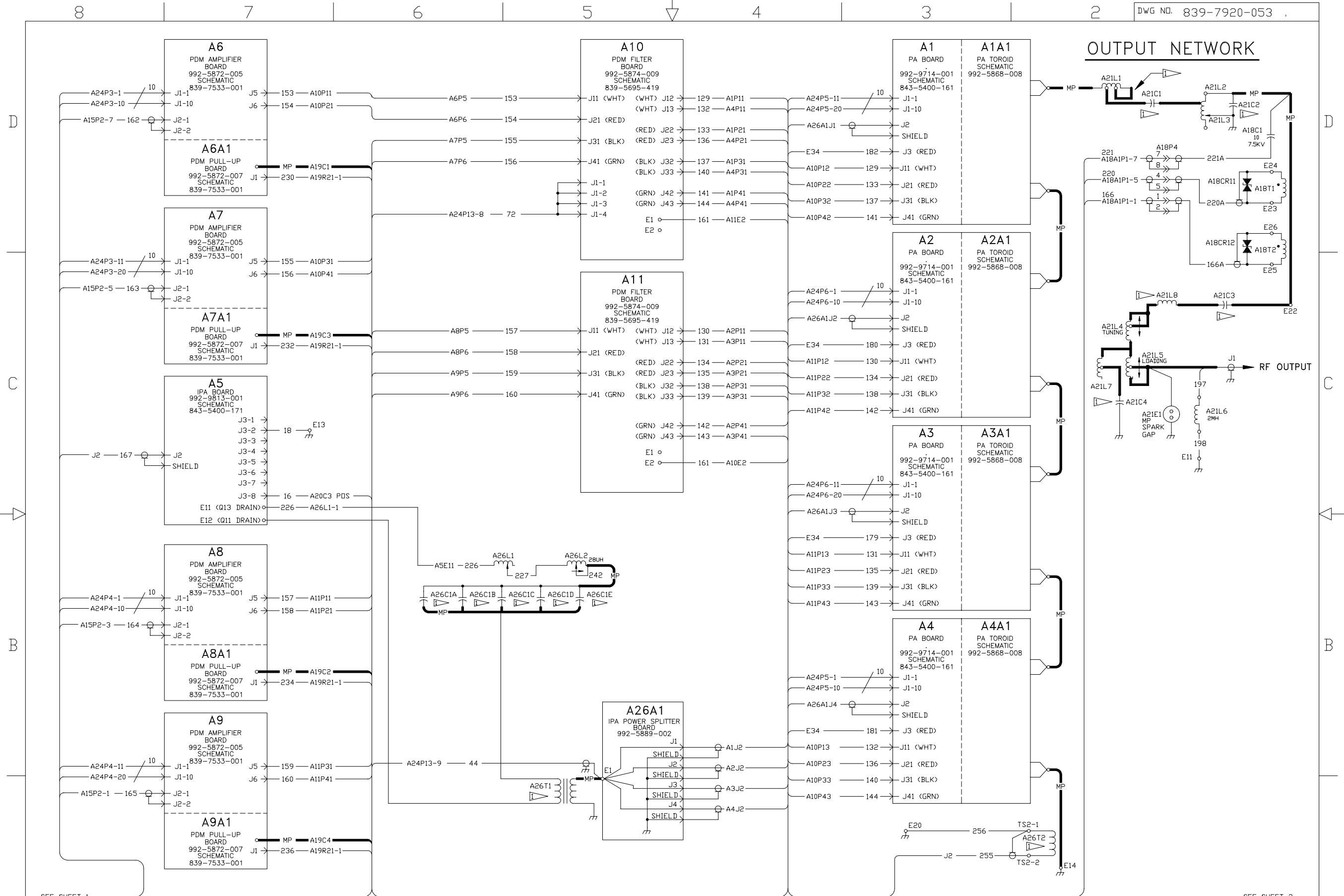


HARRIS CORPORATION  
BROADCAST COMMUNICATIONS  
P.O. BOX 4290  
QUINCY, ILLINOIS 62305

DRAWN BY	ROB FINLEY
DATE	MARCH 1990
ENG CHK	RICHARDS
PRJ ENG	HOLLENBERG
MFG ENG	SANDIDGE
CHECKED BY	
SHEET	1 OF 3

TITLE	WIRING DIAGRAM, GATES 5 THREE PHASE
DWG NO.	839-7920-053
REV	H

THIS DOCUMENT CONTAINS PROPRIETARY DATA OF HARRIS CORPORATION. NO DISCLOSURE, REPRODUCTION, OR USE OF ANY PART THEREOF MAY BE MADE EXCEPT BY WRITTEN PERMISSION.



SEE SHEET 1

SEE SHEET 3

NOTES  
 1. FREQUENCY DETERMINED

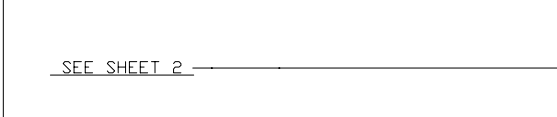
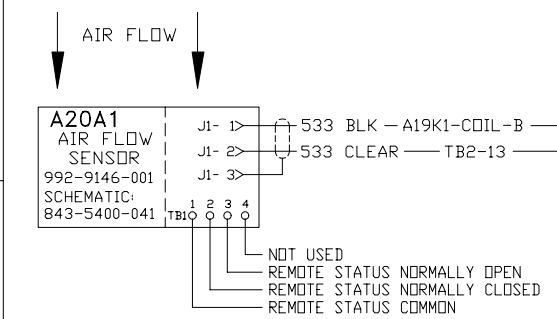
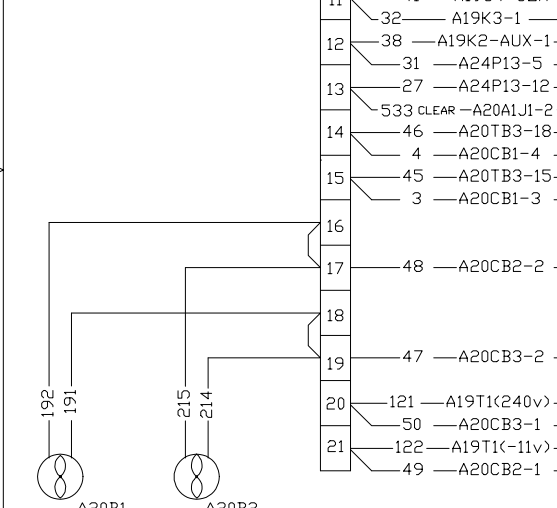
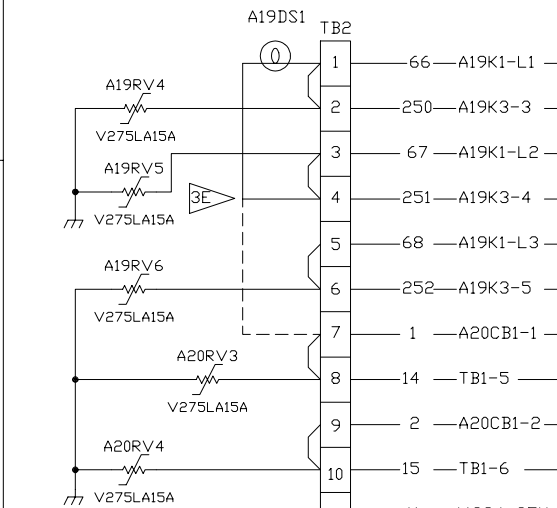
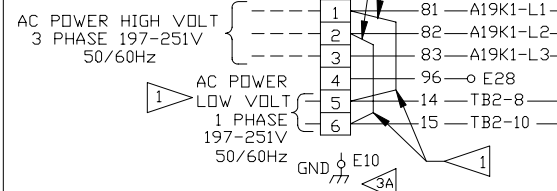
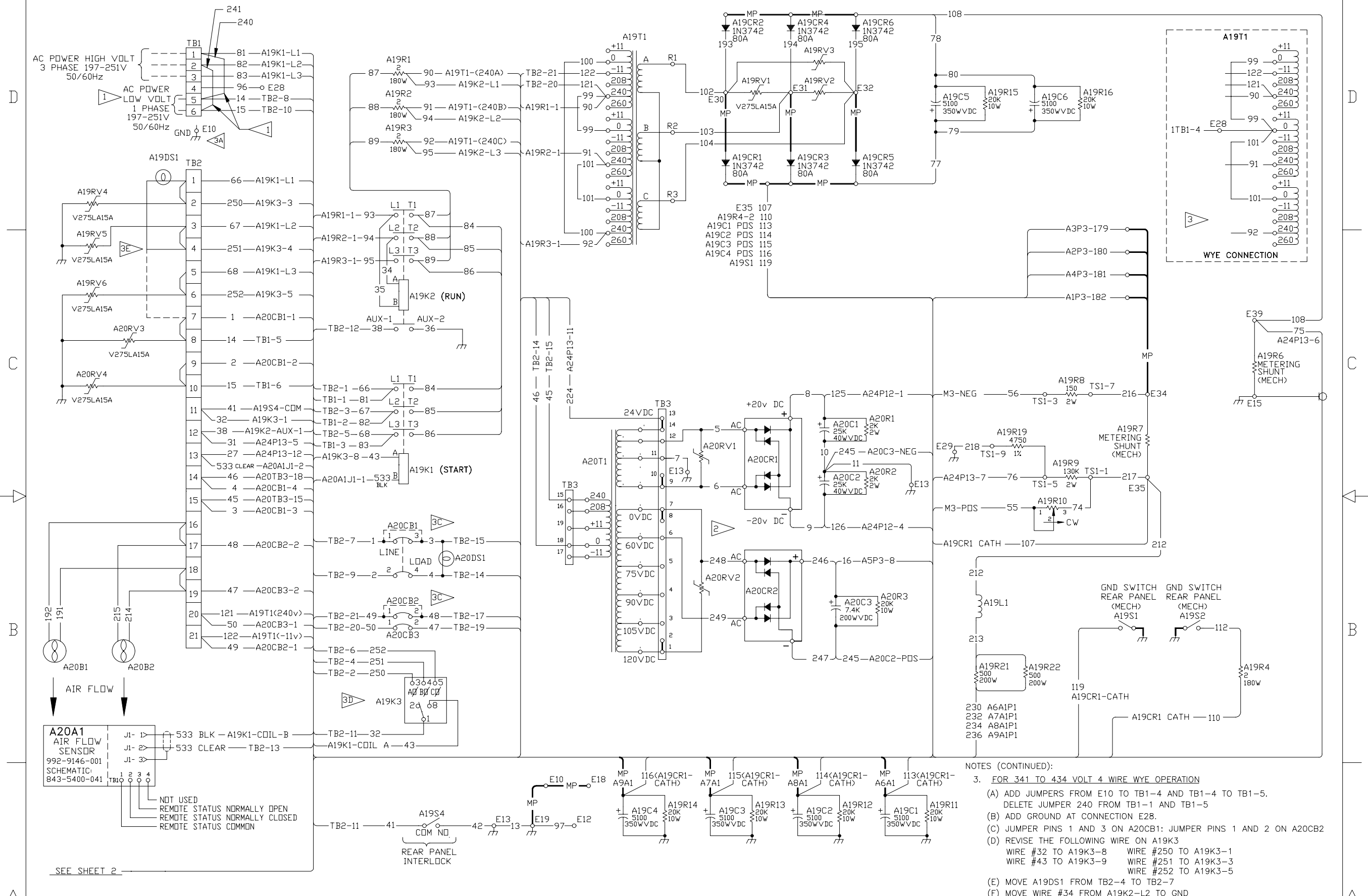
REV	LTN	ZONE	DATE	DFTM	ENG	ECD NBR
1	G	.	11-01-1996	SEC	SEC	41575
REVISED #'s A1, A2, A3 & A4 WERE 992-5868-015 / 839-5695-418						
2	H	.	JAN 30, 2001	SEC	SEC	46591
CHANGED PART NUMBER AT A5						



HARRIS CORPORATION  
 BROADCAST COMMUNICATIONS  
 P.O. BOX 4290  
 QUINCY, ILLINOIS 62305

DRAWN BY	ROB FINLEY
DATE	MARCH 1990
ENG CHK	RICHARDS
PRJ ENG	SANDIDGE
MFG ENG	-
REV	C

TITLE  
 WIRING DIAGRAM, GATES 5  
 THREE PHASE  
 -  
 DWG NO. 839-7920-053  
 REV H



2. A20T1 SECONDARY TAP VOLTAGES SHOWN ARE INDICATIVE OF POWER SUPPLY OUTPUT VOLTAGE AVAILABLE FROM A SPECIFIC A20T1 TAP TO ZERO VOLTS REFERENCE. WIRE 249 IS CONNECTED TO TAP (NOT NECESSARILY #6) THAT RESULT IN NOMINAL 28V P-P PA MODULE RF DRIVE SIGNAL.

1. FOR SEPARATE HV AND LV POWER SUPPLY INPUT INSTALL LV POWER ON TERMINALS 5 & 6: HV POWER ON TERMINALS 1,2 & 3 DELETE JUMPER WIRES #240 AND #241.

REVISION	LTR	ZONE	DATE	DFTM	ENG	ECD NBR
1	E	.	03-11-1995	SEC		39125
2	H	.	JAN 30, 2001	SEC		46591

REDRAWN IN AutoCAD, DELETED A20S2, ADDED A20A1  
UPDATED REVISION PER ECD



HARRIS CORPORATION  
BROADCAST COMMUNICATIONS  
P.O. BOX 4290  
QUINCY, ILLINOIS 62305

DRAWN BY ROB FINLEY  
DATE MARCH 1990  
ENG CHK RICHARDS  
PROJ ENG HOLLENBERG  
MFG ENG SANDIDGE  
C SHEET 3 OF 3

TITLE  
WIRING DIAGRAM, GATES 5  
THREE PHASE  
POWER SUPPLY  
DWG NO. 839-7920-053  
REV H

- NOTES (CONTINUED):
- FOR 341 TO 434 VOLT 4 WIRE WYE OPERATION
    - ADD JUMPERS FROM E10 TO TB1-4 AND TB1-4 TO TB1-5. DELETE JUMPER 240 FROM TB1-1 AND TB1-5
    - ADD GROUND AT CONNECTION E28.
    - JUMPER PINS 1 AND 3 ON A20CB1: JUMPER PINS 1 AND 2 ON A20CB2
    - REVISE THE FOLLOWING WIRE ON A19K3  
WIRE #32 TO A19K3-8      WIRE #250 TO A19K3-1  
WIRE #43 TO A19K3-9      WIRE #251 TO A19K3-3  
WIRE #252 TO A19K3-5
    - MOVE A19DS1 FROM TB2-4 TO TB2-7
    - MOVE WIRE #34 FROM A19K2-L2 TO GND