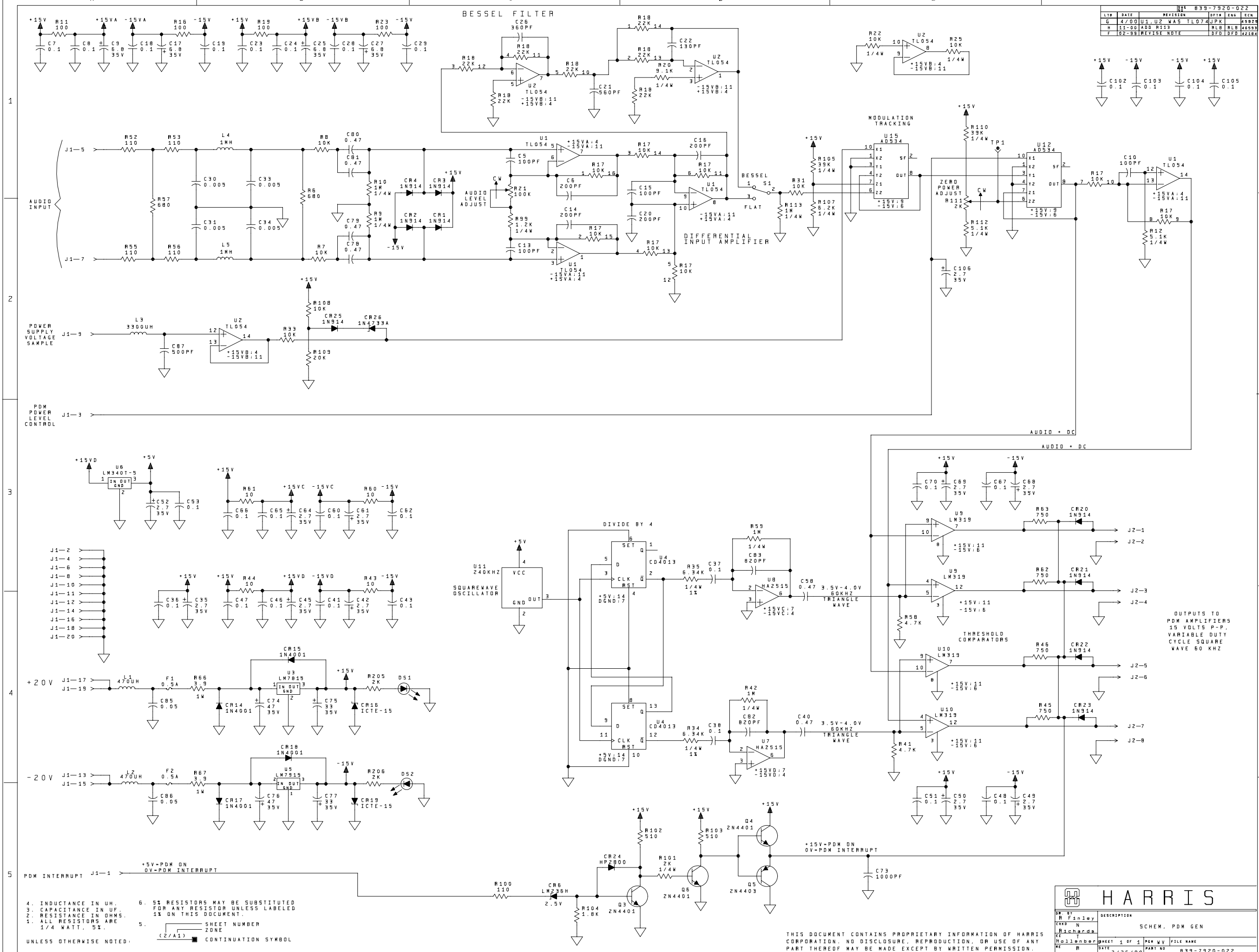


LTN	DATE	REVISION	DRN	ENC	ECN
6	4/7/00	U1 U2 WAS TLO54	JPK		45822
H	11-00	ADD R113	RLB	RLB	44933
F	02-99	REVISE NOTE	DFD	DFD	42184



4. INDUCTANCE IN UH. 6. 5% RESISTORS MAY BE SUBSTITUTED FOR ANY RESISTOR UNLESS LABELED 1% ON THIS DOCUMENT.
 2. RESISTANCE IN OHMS. 1. ALL RESISTORS ARE 1/4 WATT, 5%.
 5. SHEET NUMBER ZONE
 (2/A1) CONTINUATION SYMBOL

HARRIS

DR BY	DESCRIPTION
DRN	SCHEM. PDM GEN
CHKD BY	
DATE	
SHEET 1 OF 1	FILE NAME
DATE 3/26/90	PART NO B39-7920-022

THIS DOCUMENT CONTAINS PROPRIETARY INFORMATION OF HARRIS CORPORATION. NO DISCLOSURE, REPRODUCTION, OR USE OF ANY PART THEREOF MAY BE MADE EXCEPT BY WRITTEN PERMISSION.