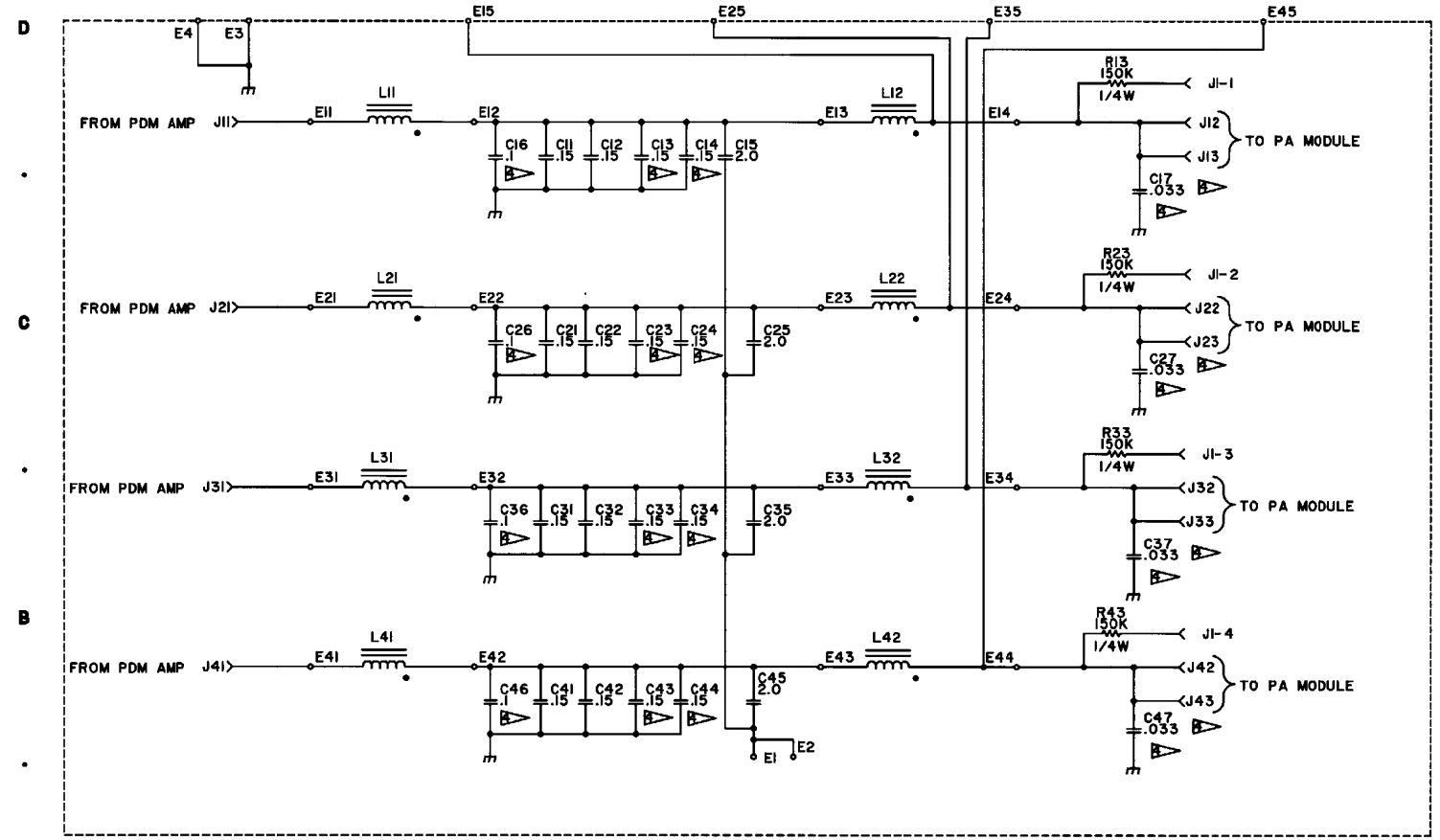


REFERENCE DOCUMENTS	
PC. BOARD	NET LIST

M1		839-7920-047	
LTR	DATE	REVISION	DFTN ENG ESN
A	8/24/99	REMOVE NOTE 3 ADD (GATES ONE)	LJH BK 45024



2. CAPACITANCE IS IN UF
 1. RESISTANCE IS IN OHMS, 1/2WATT 5%
 UNLESS OTHERWISE NOTED:
 NOT USED ON 992 5874 011 (GATES ONE)

CAD CAM FILED: SCH.ES.D97920.047

HARRIS ALL DIM. IN MILLIMETERS .1 : .250 .1 : .2 .251 : .500 .251 : .500 .501 : 1.000 .501 : 1.000 ANGLES : 1° ANGLES : 1° ALL DIMENSIONS TO UNLESS OTHERWISE SPECIFIED ALL DIMENSIONS TO UNLESS OTHERWISE SPECIFIED	
THIS DOCUMENT CONTAINS PROPRIETARY DATA OF HARRIS CORPORATION. NO DISCLOSURE, REPRODUCTION, OR USE OF ANY PART THEREOF MAY BE MADE EXCEPT BY WRITTEN PERMISSION.	
DR. BY R.SIMON 12-18-89 CHKD. M.E. E.E. PROJ. ENG. MFG.	TITLE SCHEM PDM FILTER REF. DWG. SCALE
NEXT ASSY. USED ON	MAT'L. FIN. DWG NO. 839-7920 -047 SHEET 1 OF 1