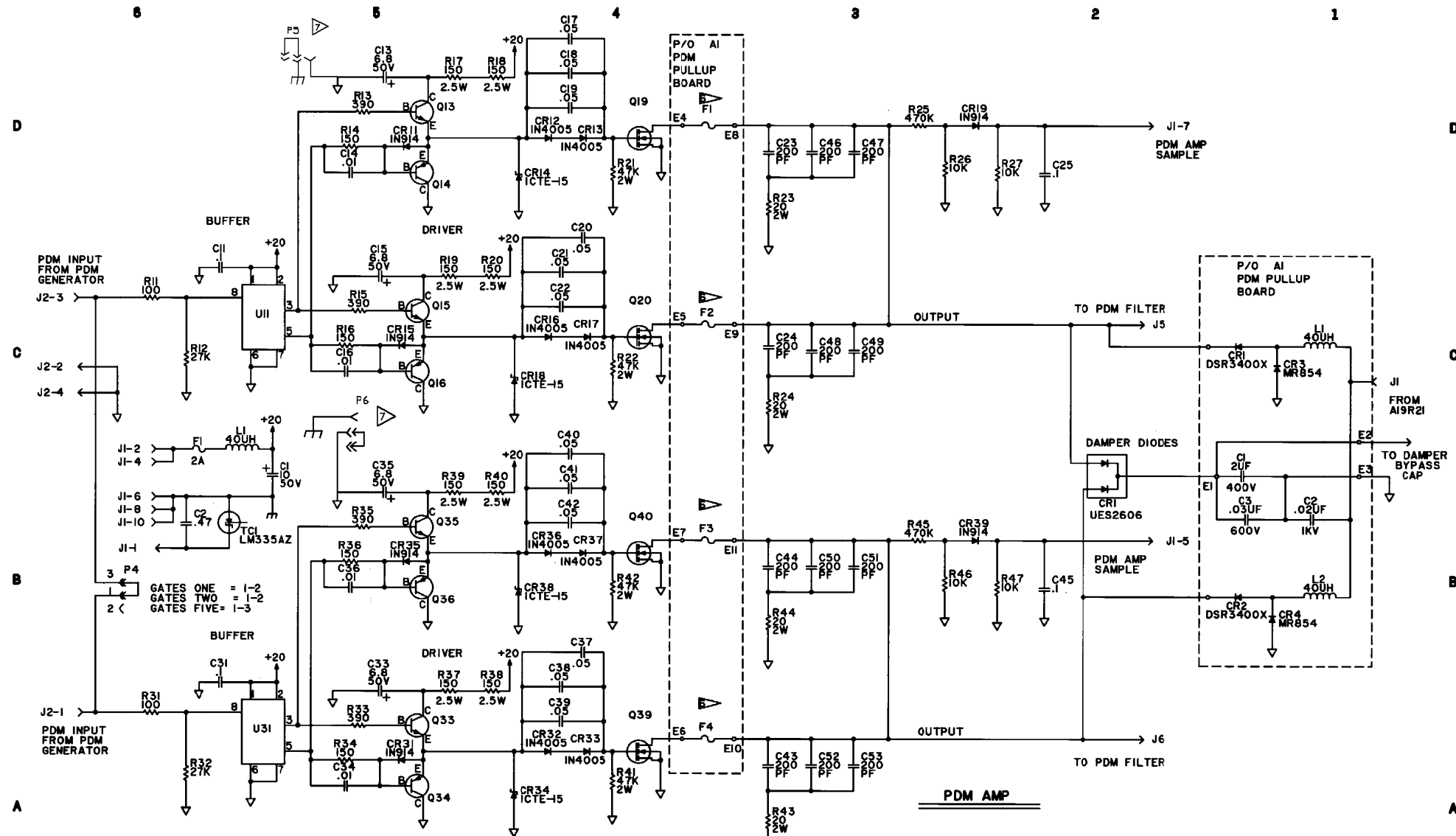


LTR/DATE	REVISION	DFTM	ENG	ECN
C 9-98	CHG FUSE RATING NOTE 6	PJF		42359

839-7920-046		DFTM	ENG	ECN
LTR	DATE	REVISION		
A	5-22-1990	REVISED FOR RELEASE	SAM	35824
B	7-13-1993	ADD P5, P6, NOTE 7	SLH	MAB 38647



- 3. CAPACITANCE IS IN UF
 - 2. RESISTORS ARE 1/2WATT 5%
 - 1. RESISTANCE IS IN OHMS UNLESS OTHERWISE NOTED:
- ▷ SELECT P5 & P6 POSITIONS FOR MINIMUM 60 KHZ SPURS
 - ▷ FUSES F1 THRU F4 - GATES ONE - TYPE 3AB 2 AMP
GATES TWO & FIVE - TYPE 3AB 5 AMP
 - 5. Q13 Q15 Q33 Q35 = 2N4401; Q14 Q16 Q34 Q36 = MJE-210
Q19 Q20 Q39 Q40 = IRF-350R-21
 - 4. U11 U31 = LH0002CH

ALL DIM. IN THIS DOCUMENT CONTAINS PROPRIETARY DATA OF HARRIS CORPORATION. NO DISCLOSURE, REPRODUCTION, OR USE OF ANY PART THERE OF MAY BE MADE EXCEPT BY WRITTEN PERMISSION.	
DR. BY CHGD. R. SIMON 2-90	TITLE SCHEMATIC PDM AMP-PULL UP
E.E. PROJ. ENG.	REF. DWG. SCALE
NPG. NEXT ASSY.	MAT'L. FIN. DWG. NO. 839-7920 046
USED ON	SHEET DF 1