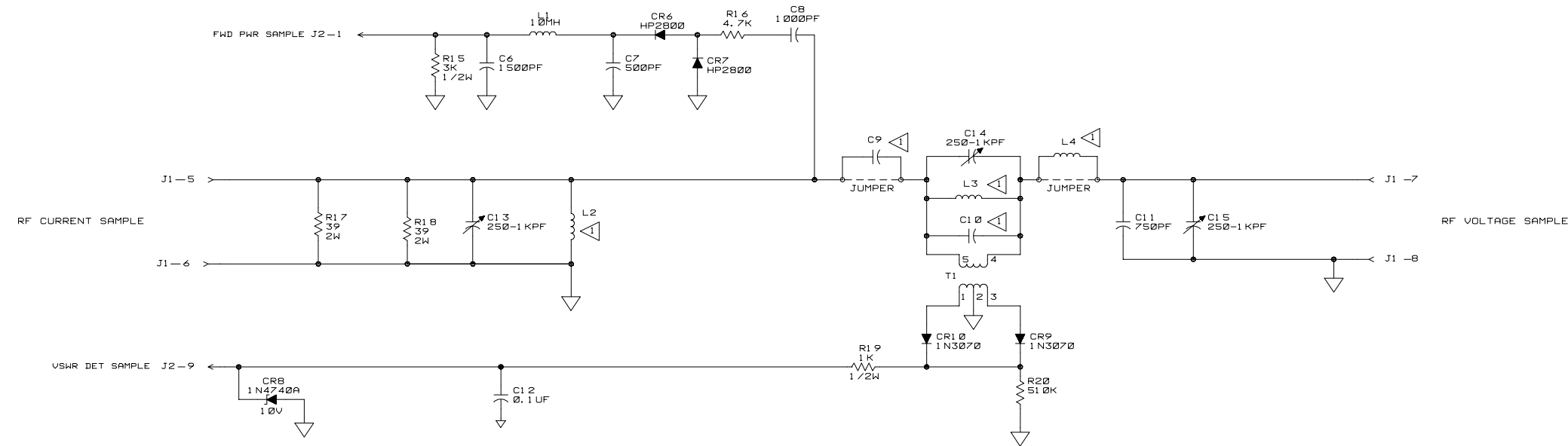
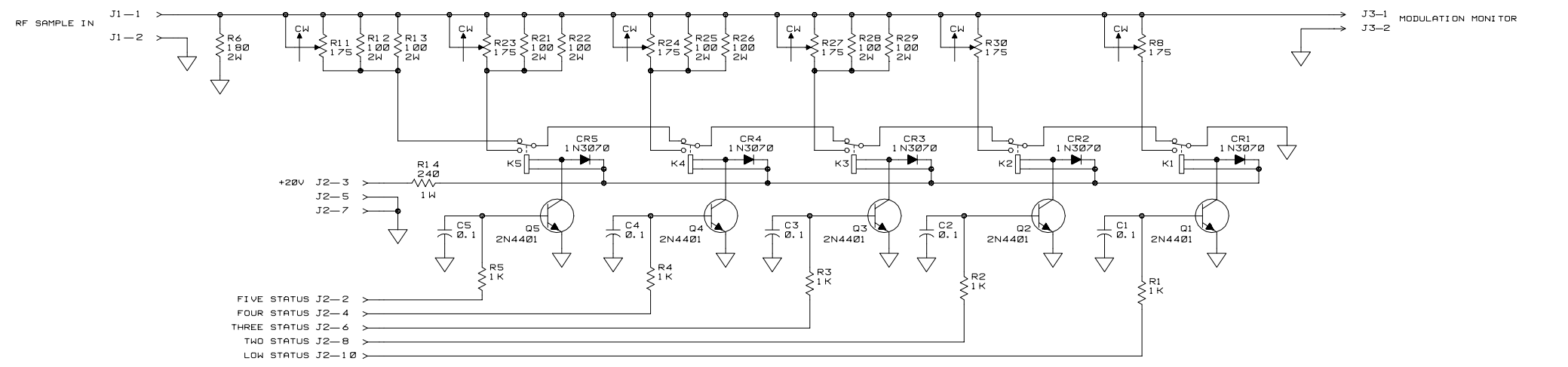


REV. 1		839-7920-019			
LTR	DATE	REVISION	DPTH	ENG	ECN
A	8/92	CH C12, R19	RTM	TH	58128



△ COMPONENT VALUES ARE DETERMINED BY THE TRANSMITTER FREQUENCY

8-25-1992_10:22

HARRIS

DR. BY R. Finley	DESCRIPTION OUTPUT MONITOR
CHKD BY Richards	
EE Hollenber	
DE Sandi dee	
SHEET 1 OF 1	FILE NAME 8397920\019.1
DATE 4/1990	PART NO 839-7920-019