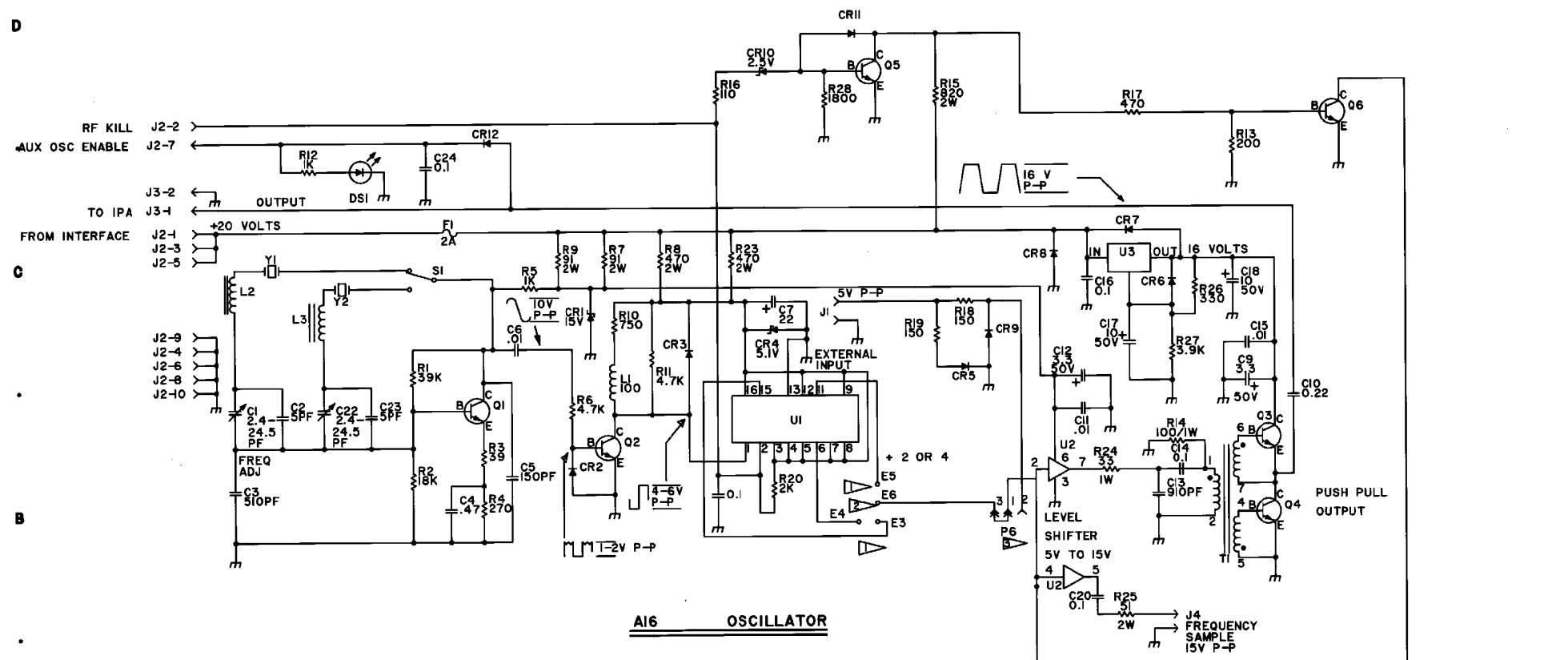


REFERENCE DOCUMENTS	
PC. BOARD	NET LIST

REV. NO. 839-7920-021					
LTR	DATE	REVISION	BY	CHK	DCN
A	5-22-90	REVISED	RWS		
B	9-28-1990	C12 & C17 WERE 35V	SEC	SEC	36145



6. INDUCTANCE IS IN UH  
5. CAPACITANCE IS IN UF  
4. RESISTANCE IS IN OHMS, 1/2 WATT, 5%  
JUMPER 1 TO 3 FOR INTERNAL USE:  
1 TO 2 FOR EXTERNAL USE  
JUMPER E3 TO E6 DIVIDE BY 2  
JUMPERS E3 & E4, E5 & E6 DIVIDE BY 4  
UNLESS OTHERWISE NOTED:
9. Q1, Q2 = 2N2369 Q3, Q4 = MJE200  
Q5 = 2N4401 Q6 = 2N2222A  
8. CR1 = IN5352 CR2, CR3, CR5, CR9 = IN914 CR4 = IN4733A  
CR6, CR7, CR8 = IN4004 CR10 = LM236 CR11 = HP2800  
7. U1 = SN7476N U2 = DS0026J-8  
U3 = LM317K

CAD/CAM FILED: SCH.ES.D97920.021 .01

<small>ALL DIM. IN INCHES UNLESS NOTED OTHERWISE</small>	
<small>THIS DOCUMENT CONTAINS PROPRIETARY DATA OF HARRIS CORPORATION. NO DISCLOSURE, REPRODUCTION, OR USE OF ANY PART THEREOF MAY BE MADE EXCEPT BY WRITTEN PERMISSION.</small>	
DR. BYR. SIMON CHKD. A.E. GJK 5-90 E.E. PROJ. ENG. TH 5-23-90 MFG. RJS 5/23/90	TITLE SCHEMATIC OSCILLATOR BD REF. DWG. SCALE
NEXT ASSY. USED ON	FIN. DWG. NO. 839-7920 SHEET 1 OF 1 021