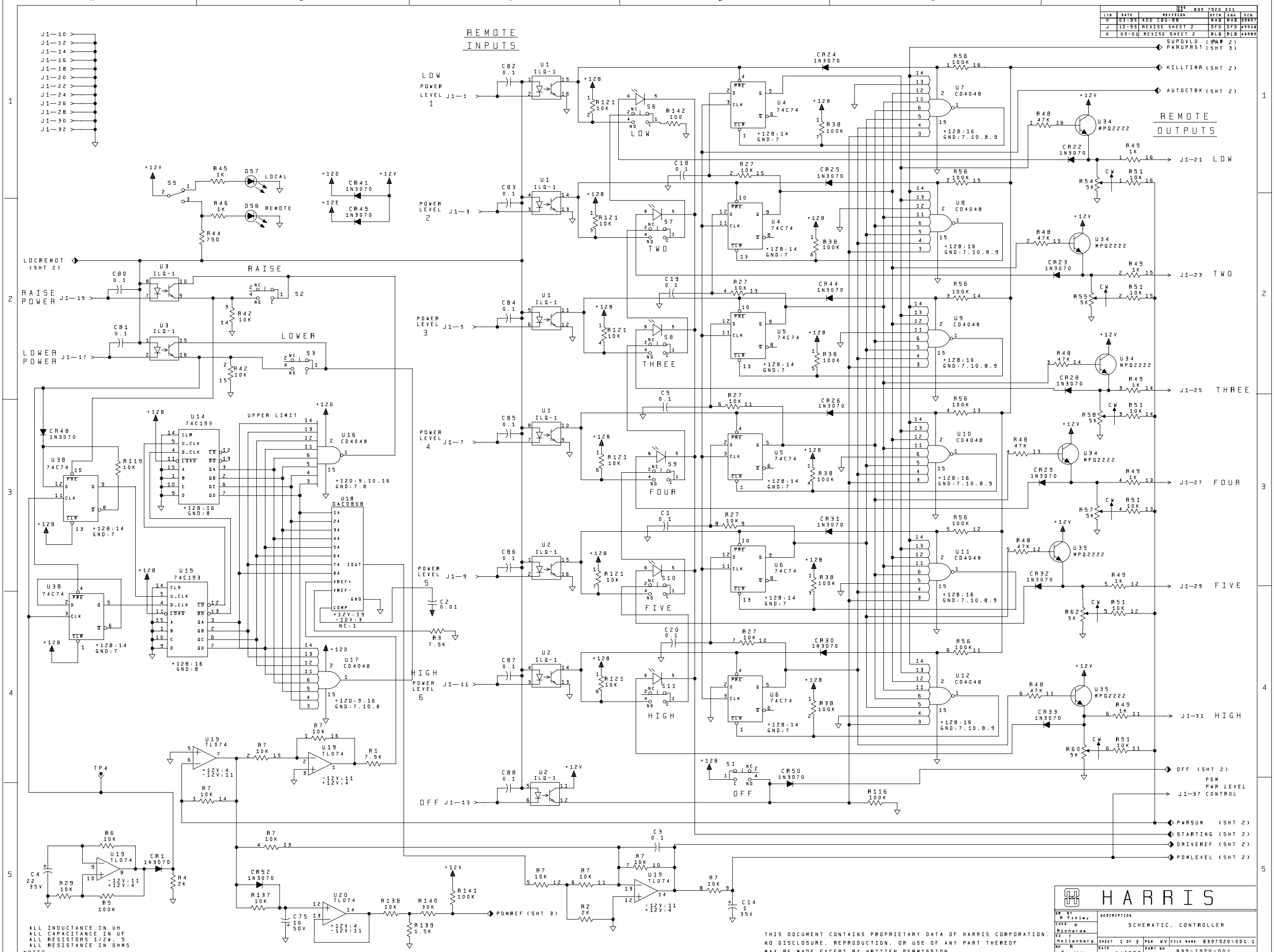


LTN	DATE	REVISION	BY	CHK	APP	REV
F	03-95	ADD C80-85	WJW	WJW	WJW	85507
J	12-95	REVISE SHEET 2	DFD	DFD	DFD	45510
K	03-02	REVISE SHEET 2	RLB	RLB	RLB	46980



REMOTE INPUTS

REMOTE OUTPUTS

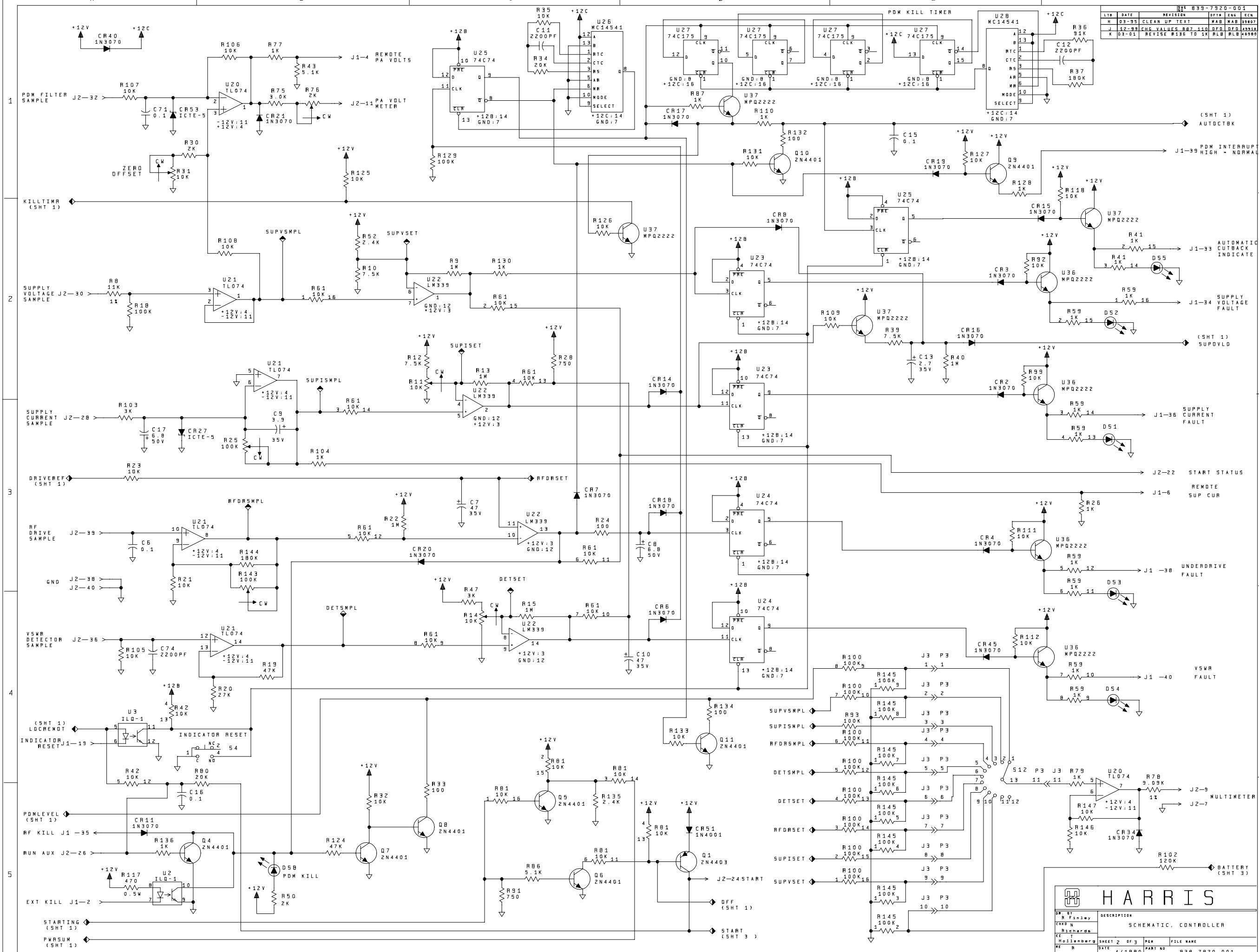
NOTES:
 ALL INDUCTANCE IN UH
 ALL CAPACITANCE IN UF
 ALL RESISTORS 1/2W, 5%
 ALL RESISTANCE IN OHMS

THIS DOCUMENT CONTAINS PROPRIETARY DATA OF HARRIS CORPORATION.
 NO DISCLOSURE, REPRODUCTION, OR USE OF ANY PART THEREOF
 MAY BE MADE EXCEPT BY WRITTEN PERMISSION.

HARRIS

DR. BY	R. F. S. J. W.	DESCRIPTION	SCHEMATIC, CONTROLLER			
CHKD. BY	W. J. W.					
APP. BY	R. S. C. H. A. R. D. S.					
FILE NO.	W. J. W. 1000	SHEET 1 OF 3	REV. W. V.	FILE NAME	8397920-001.1	
DATE	4/2/1990	PART NO.			839-7920-001	

LTN	DATE	REVISION	BY	CHK	FILE	TECH
H	03-95	CLEAN UP TEST	MAB	MAB	89901	
J	12-99	CHK VALUES RBT 110	DFD	DFD	49910	
K	03-01	REVISE R336 TO 1K	RLB	RLB	49999	

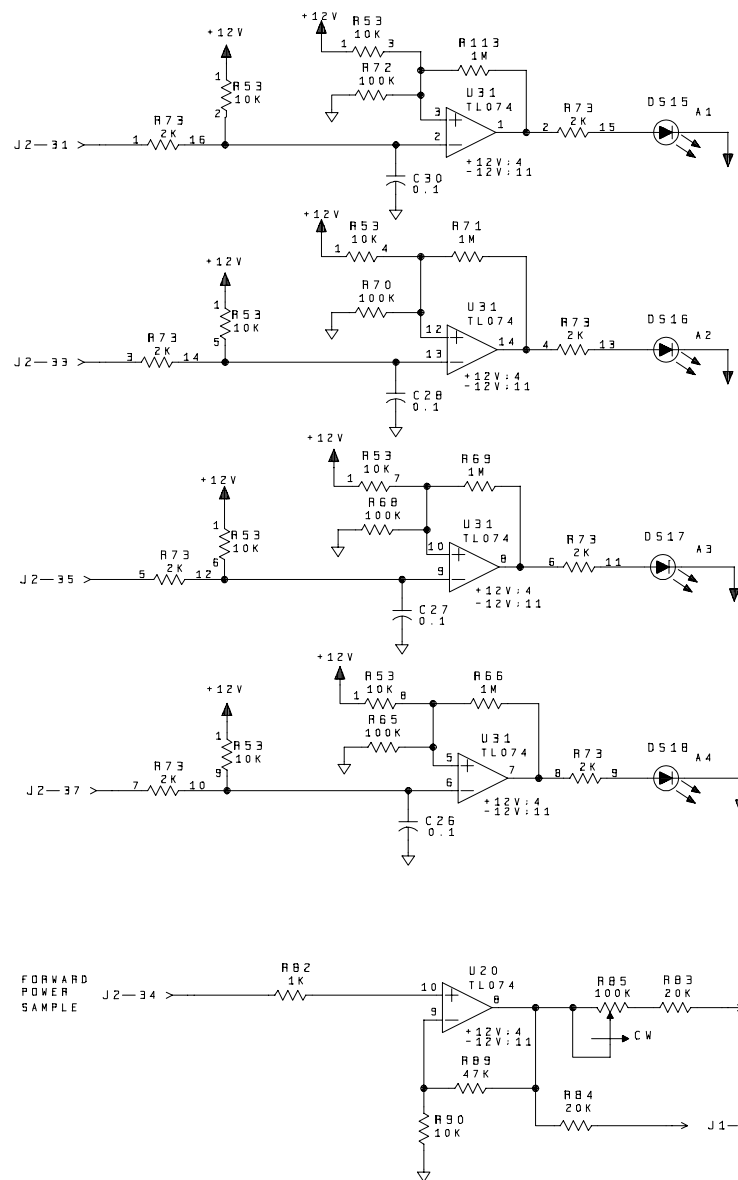


HARRIS

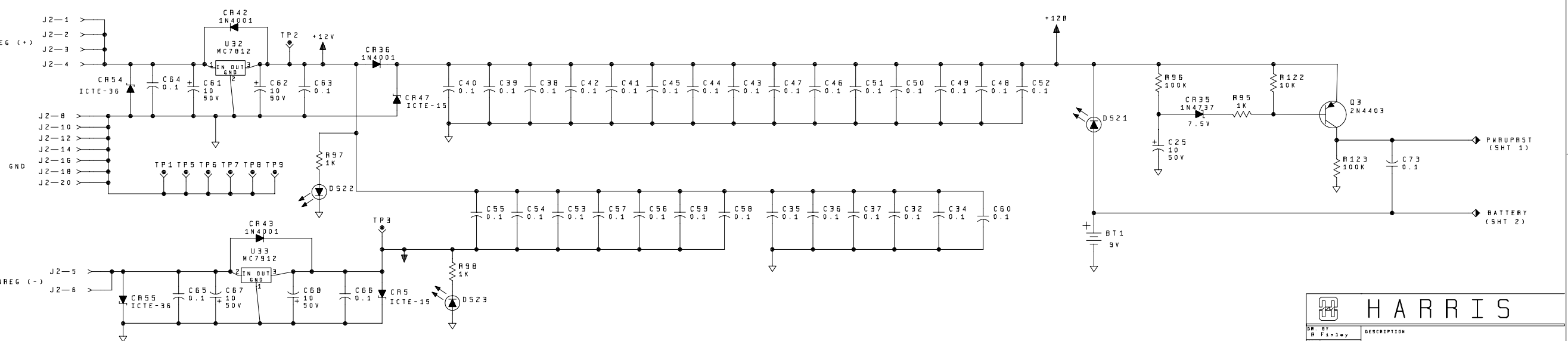
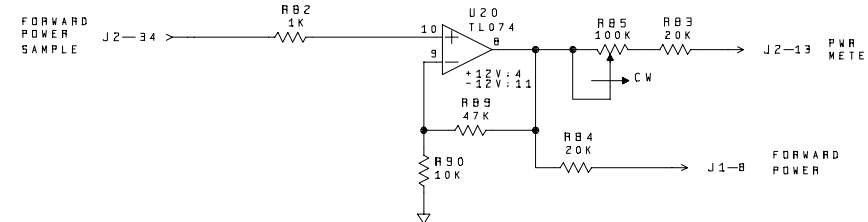
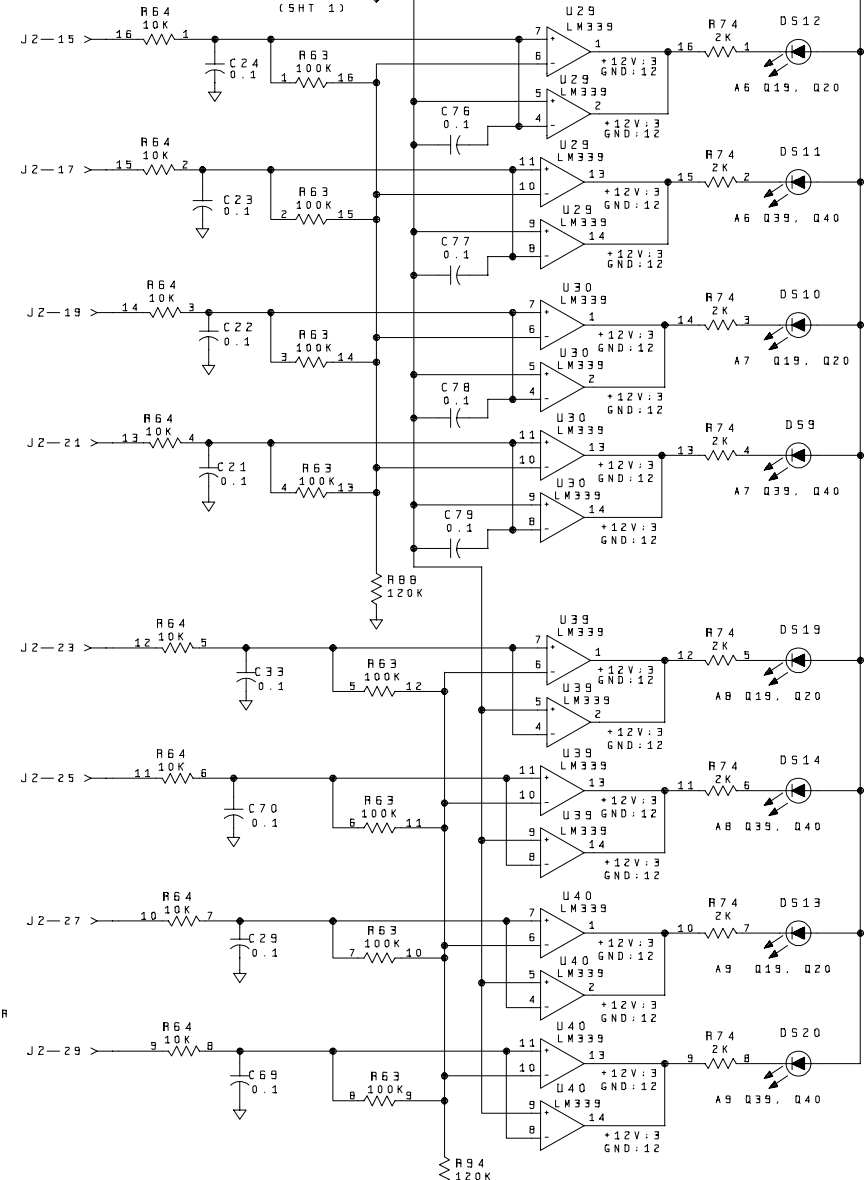
DR. BY R Finley	DESCRIPTION SCHEMATIC, CONTROLLER
CHKD BY R Finley	
DATE 4/1990	FILE NAME 899 7920 001

LTN	DATE	REVISION	BY	ENG	ECN
H	03-95	CLEAN UP TEXT	WAG	WAB	25970
J	12-98	REVISE SHEET 2	DFD	DFD	45510
K	03-02	REVISE SHEET 2	RLB	RLB	46980

PA FUSE INDICATE



PDM FAULT DETECT



HARRIS

DR BY	DESCRIPTION
CRK N	SCHEMATIC, CONTROLLER
CHK N	
WAG	
WAB	
DFD	
DFD	
FILE NAME	8397920\001.3
SHEET	3 OF 3
DATE	4/1990
PART NO	839 7920 001